

Clarke®



MULTI-FUNCTION WORKLIGHT

MODEL NO: MFL800R

PART NO: 4003542

INSTRUCTIONS FOR USE

UK
CA | CE



GC07/23

INTRODUCTION

Thank you for purchasing this CLARKE Worklight. Before attempting to use this product, please read this manual thoroughly and follow the instructions carefully. In doing so you will ensure the safety of yourself and that of others around you, and you can look forward to your purchase giving you long and satisfactory service.

TECHNICAL SPECIFICATIONS

Model	MFL800R
Operating voltages	3.7V (light), / 230V (charger)
LED Wattage consumption	9W(max)
LED replaceable	No
Rechargeable Lithium battery	3.7V / 4400mAh
LED Light source	4 x 1W SMD, 1 x 5W LED, 1 x 2W LED
Light output (luminous flux) max	800 Lm
Colour temperature (rendering)	6000 - 6800K
Ingress Protection (IP rating)	IP20
Battery charging time	6 hours
Approximate Run Time	5 Hours
Efficiency	88 Lm/W
Operating temperatures	0 to +45°C
Dimension	55 x 255 x 42mm
Weight	330g

GUARANTEE

This product is guaranteed against faulty manufacture for a period of 12 months from the date of purchase. Please keep your receipt which will be required as proof of purchase. This guarantee is invalid if the product is found to have been abused or tampered with in any way, or not used for its intended purpose.

Faulty goods should be returned to their place of purchase, no product can be returned to us without prior permission. This guarantee does not effect your statutory rights.

SAFETY INSTRUCTIONS

1. **ALWAYS** check for damage before using the worklight. Inspect the power cable and plug for damage. Any damage should be properly repaired or the part replaced. Consult your local CLARKE dealer.
2. **ALWAYS** ensure that the voltage marked on the charger matches the power supply to be used.
3. **NEVER** use this lamp in a bathroom or in the vicinity of a swimming pool.
4. **NEVER** cover the lamp.
5. **NEVER** pull the cable to remove the charger plug from the power supply.
6. **DO NOT** look directly into the worklight when it is switched on.
7. Keep the worklight out of the reach of children.
8. Charge the worklight in a dry indoor location. **DO NOT** immerse in water or any other liquid.
9. **ALWAYS** fully charge before first use.
10. **DO NOT** turn on the light when charging.
11. **DO NOT** leave the worklight on charge for more than 24 hours.
12. **DO NOT** disassemble the worklight as there are no user changeable parts.
13. This worklight utilises a rechargeable Lithium-ion battery that can rupture, ignite and cause serious injury if being used improperly.
14. **DO NOT** put batteries and the worklight in the fire or high temperature.
15. **DO NOT** puncture or damage the batteries.
16. **DO NOT** immerse or expose the worklight to water.
17. **DO NOT** dispose of the worklight in a fire or water.

THE FOLLOWING WARNING SYMBOLS ARE FOUND ON THE PRODUCT



Indoor use



Harmful to aquatic life



Pacemaker hazard (due to magnet)



Not suitable for use by children

ENVIRONMENTAL RECYCLING POLICY



Through purchase of this product, the customer is taking on the obligation to deal with the WEEE in accordance with the WEEE regulations in relation to the treatment, recycling & recovery and environmentally sound disposal of the WEEE.

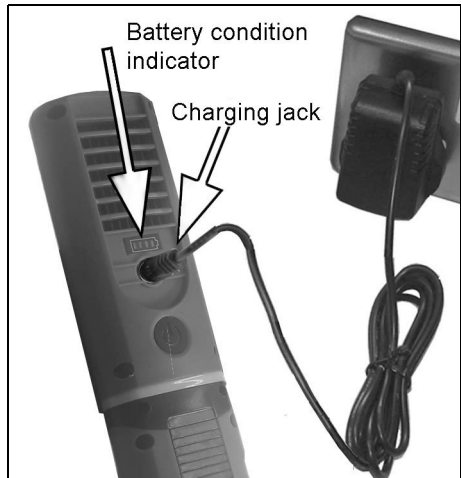
In effect, this means that this product must not be disposed of with general household waste but according to the laws governing Waste Electrical and Electronic Equipment (WEEE) at a recognised disposal facility.

The light source contained in this worklight has a life expectancy of approximately 50000 hours after which the worklight should be disposed of in an environmentally responsible way.

The Lithium Ion battery falls under the Waste Batteries and Accumulators Regulations 2009 and should be disposed of in a controlled manner.

BATTERY CHARGING

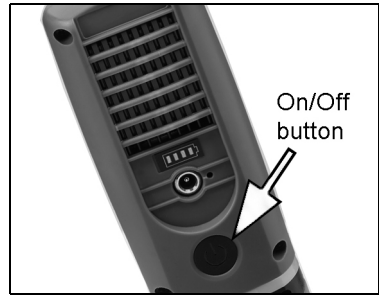
1. Connect the AC charging adaptor to the charging jack on the worklight.
2. Connect the other end of the charger to the 230V mains power supply and charge until fully charged.
 - The battery condition indicator will illuminate when charging.
 - The worklight should not be used while using the charger.
3. The battery should be re-charged at least every 3 months. Failure to re-charge the battery will lead to reduced performance of the worklight and to premature battery failure.
4. If you plan to store the worklight (e.g. for emergencies), we recommend that the battery is fully charged before doing so. This will ensure the longest possible battery life.
5. NEVER abuse the charger cable or yank the cable to disconnect it. Keep the cable away from sharp edges/hot surfaces.



OPERATION

To switch on the different LEDs, press the ON/OFF button in the following sequence.

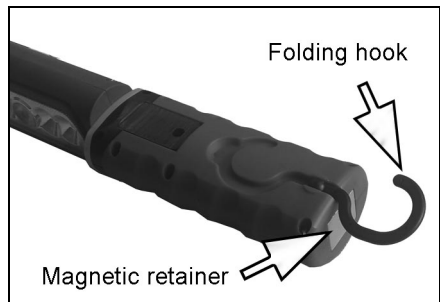
1. The first press switches on the centre light.
2. The second press switches on the two upper and two lower LEDs.
3. The third press switches on all LEDs.
4. The fourth press makes all lights brighter.
5. The fourth press switches off the main lights and switches on the end LED (torch) light.
6. The fifth press switches the unit off.



NOTE: If set to 3 or 4 for longer than a few seconds, the next press switches the unit off.

CAUTION: NEVER SHINE ANY LED LIGHT DIRECTLY INTO ANYONE'S EYES.

Attach the worklight to a suitable support using the folding hook or attach to a ferrous metal surface using the magnetic retainer.

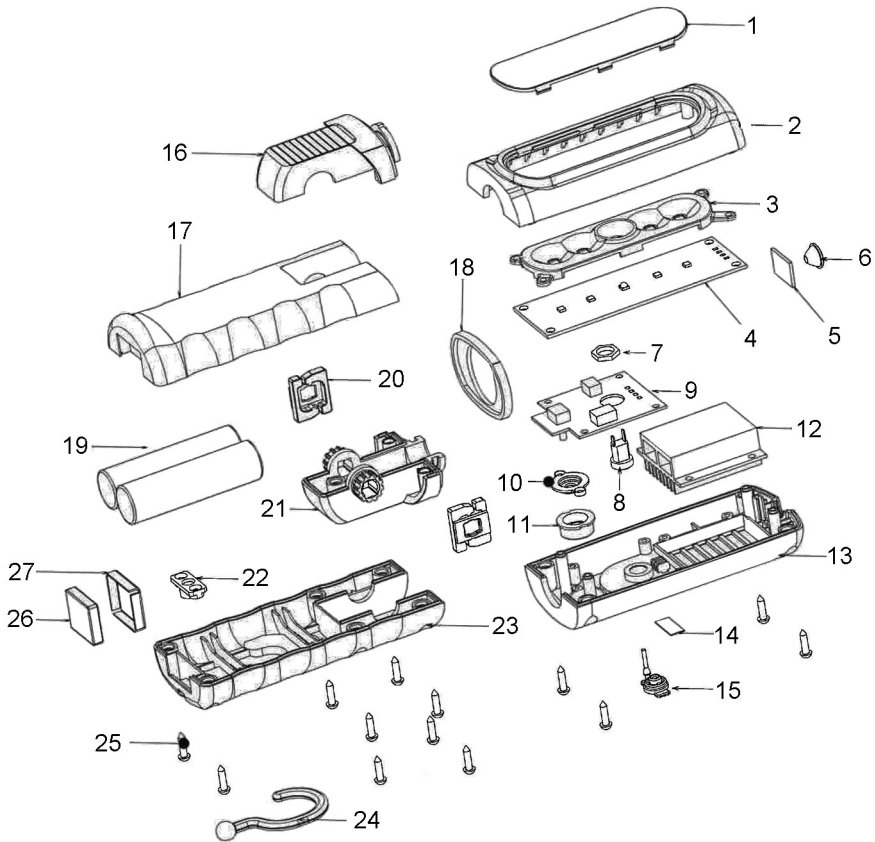


Angle the worklight to suit the task by bending and/or twisting the top half of the unit to shine in any direction.

To keep your worklight clean, wipe with a damp cloth only, DO NOT use detergents, chemicals or harmful abrasives. Never immerse in water.



COMPONENT PARTS



Item	Description
1	Front Lens
2	Housing
3	Reflector
4	LED Plate
5	Torch LED
6	LED Lens
7	DC Socket Nut
8	DC Socket
9	PCBA

Item	Description
10	Switch Support
11	Switch Cap
12	Radiator
13	Back Housing
14	Sticker
15	DC Hole Rubber
16	Front Pivot
17	Front Housing
18	Fluorescent Ring

Item	Description
19	Lithium Battery
20	Ratchet
21	Back Pivot
22	Hook Support
23	Back Housing
24	Hook
25	Screw
26	Magnet
27	Magnet Support

DECLARATIONS OF CONFORMITY



Fitzwilliam Hall, Fitzwilliam Place, Dublin 2

DECLARATION OF CONFORMITY

This is an important document and should be retained.

We hereby declare that this product(s) complies with the following legislation:

- 2006/68/EC Battery Directive
- 2014/30/EU Electromagnetic Compatibility Directive
- 2014/35/EU Low Voltage Directive
- 2017/65/EU Restriction of Hazardous Substances (RoHS) Directive

The following standards have been applied to the product(s):

- IEC 62321-1:2013, IEC 62321-2:2013, IEC 62321-3:12013, IEC 62321-4:2013+A1:2017, IEC 62321-5:2013, IEC 62321-6:2015, IEC 62321-7:12015, IEC 62321-7-2:2017, IEC 62321-8:2017, ISO 17075:2017, EN 55014-2:2015, EN 55014-1:2017+A11:2020, BS EN 60335-1:2012+A13:2017, BS EN 60335-2-29:2004+A2:2010, BS EN 62333:2008, BS EN IEC 55015:2019+A11:2020, EN IEC 61000-3-2:2019, EN 61000-3-3:2019+A1:2019, EN 61547:2009, EN 61558-1:2019, EN 61558-2-16:2009+A1:2013.

The technical documentation required to demonstrate that the product(s) meet(s) the requirement(s) of the aforementioned legislation has been compiled and is available for inspection by the relevant enforcement authorities.

The CE mark was first applied in: 2023

Product Description: LED Worklight
 Model Number(s): MFL800R
 Serial/Batch Number: Refer to product/packaging label
 Date of Issue: 10/07/2023

Signed: 

J.A. Clarke
 Director



Hemmill Street, Epping, Essex, CM16 4LG

DECLARATION OF CONFORMITY

This is an important document and should be retained.

We hereby declare that this product(s) complies with the following legislation:

- The Batteries and Accumulators (Placing on the Market) Regulations 2008
- The Electromagnetic Compatibility Regulations 2016
- The Electrical Equipment (Safety) Regulations 2016
- The Restrictions of the Use of Certain Hazardous Substances in Electrical and Electronic Equipment Regulations 2012

The following standards have been applied to the product(s):

- IEC 62321-1:2013, IEC 62321-2:2013, IEC 62321-3:12013, IEC 62321-4:2013+A1:2017, IEC 62321-5:2013, IEC 62321-6:2015, IEC 62321-7:12015, IEC 62321-7-2:2017, IEC 62321-8:2017, ISO 17075:2017, EN 55014-2:2015, EN 55014-1:2017+A11:2020, BS EN 60335-1:2012+A13:2017, BS EN 60335-2-29:2004+A2:2010, BS EN 62333:2008, BS EN IEC 55015:2019+A11:2020, BS EN IEC 61000-3-2:2019, BS EN 61000-3-3:2019+A1:2019, BS EN 61547:2009

The technical documentation required to demonstrate that the product(s) meet(s) the requirement(s) of the aforementioned legislation has been compiled and is available for inspection by the relevant enforcement authorities.

The UKCA mark was first applied in: 2023

Product Description: LED Worklight
 Model Number(s): MFL800R
 Serial/Batch Number: Refer to product/packaging label
 Date of Issue: 10/07/2023

Signed: 

J.A. Clarke
 Director

A SELECTION FROM THE VAST RANGE OF

Clarke®

QUALITY PRODUCTS



AIR COMPRESSORS
From DIY to industrial, Plus air tools, spray guns and accessories.

GENERATORS
Prime duty or emergency standby for business, home and leisure.

POWER WASHERS
Hot and cold, electric and engine driven - we have what you need

WELDERS
Mig, Arc, Tig and Spot.
From DIY to auto/industrial.

METALWORKING
Drills, grinders and saws for DIY and professional use.

WOODWORKING
Saws, sanders, lathes, mortisers and dust extraction.

HYDRAULICS
Cranes, body repair kits, transmission jacks for all types of workshop use.

WATER PUMPS
Submersible, electric and engine driven for DIY, agriculture and industry.

POWERTOOLS
Angle grinders, cordless drill sets, saws and sanders.

STARTERS/CHARGERS
All sizes for car and commercial use.

PARTS & SERVICE: 0208 988 7400

Parts Enquiries
Parts@clarkeinternational.com

Servicing & Technical Enquiries
Service@clarkeinternational.com

SALES: UK 01992 565333 or Export 00 44 (0)1992 565335

Clarke® INTERNATIONAL Hemnall Street, Epping, Essex CM16 4LG
www.clarkeinternational.com