

Charlton® STRONG-ARM



MANUAL TYRE CHANGER MODEL NO: CMTCT

PART NO: 7640280

ASSEMBLY & USER INSTRUCTIONS

ORIGINAL INSTRUCTIONS

GC1019 - ISS 2

INTRODUCTION

Thank you for purchasing this CLARKE Manual Tyre Changer.

Before attempting to operate the product, it is essential that you read this manual thoroughly and carefully follow all instructions given. In doing so you will ensure the safety of yourself and that of others around you, and you can also look forward to the stand giving you long and satisfactory service.

FLOOR MOUNTING BEFORE USE

It is essential that the tyre changer is bolted firmly to either the workshop floor or a suitable working base using the pre-drilled holes in the base.

Holding-down (10mm expansion type) bolts will be required for fixing to a concrete floor as a semi-permanent installation.

TECHNICAL SPECIFICATIONS

Weight	27 kg
Dimensions (L x W x H)	460 x 600 x 860 mm
Min/max wheel rim diameter	4 - 21"
Suitable wheel types IMPORTANT	May be unsuitable for aluminium or magnesium alloy wheels or carbon-fibre wheels due to risk of damaging the rims. The tool is unsuitable for motorcycle wheels and other wheels that do not have open centres.

GUARANTEE

This CLARKE product is guaranteed against faulty manufacture for a period of 12 months from the date of purchase. Please keep your receipt as proof of purchase.

This guarantee is invalid if the product is found to have been abused or tampered with in any way, or not used for the purpose for which it was intended.

Faulty goods should be returned to their place of purchase, no product can be returned to us without prior permission.

This guarantee does not effect your statutory rights.

SAFETY PRECAUTIONS

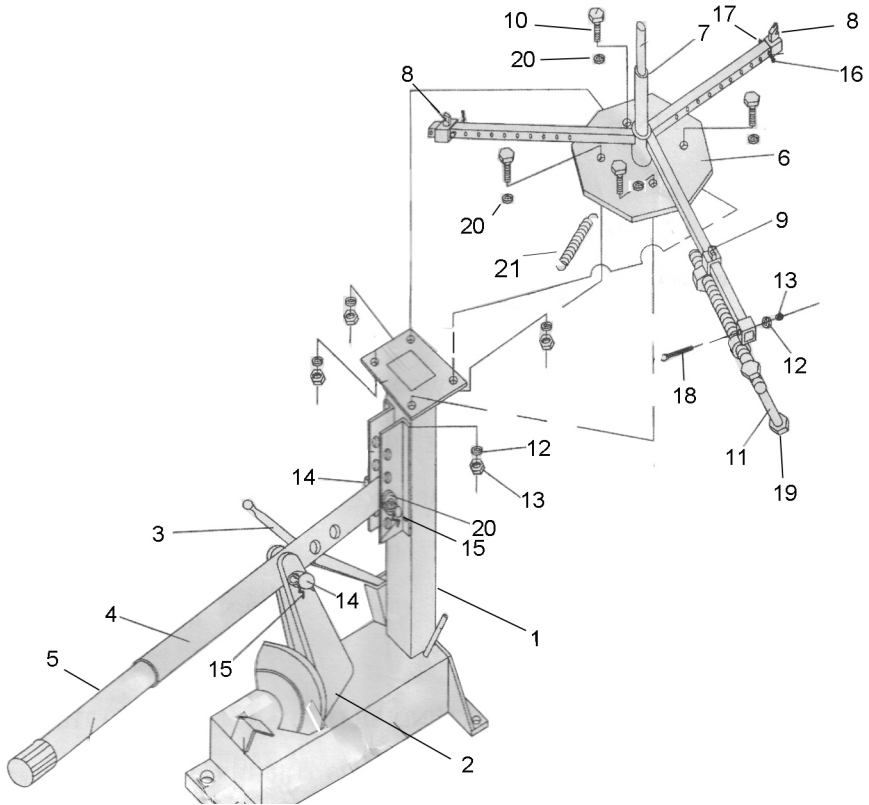
1. The tyre changer should be bolted firmly to the workshop floor using the pre-drilled holes in the base plate before use.
2. Do not allow personnel to use the tyre changer unless they have read these safety precautions.
3. Never tamper with the product or modify it in any way, as this could prove to be dangerous and will invalidate the guarantee. Only use the product for the purpose for which it is intended.
4. Ensure that the tyre changer is in good working order. Have any damaged parts repaired or replaced immediately. Use genuine Clarke parts only. The use of unauthorised parts may be dangerous and invalidate the guarantee.
5. Do not use the tyre changer if it is damaged.
6. Always use the tyre changer in a suitable, well lit work area.
7. Keep the work area clean and tidy and free from unrelated items.
8. Do not use the tyre changer when you are tired or under the influence of alcohol, drugs or intoxicating medication.
9. Ensure all bystanders keep at a safe distance whilst the tyre changer is in use.
10. Never climb on the tyre changer.
11. Take care not to trap your fingers in the adjustable parts.
12. Do not over-reach. Keep your proper footing and balance at all times.
13. Safety equipment such as gloves and non-skid shoes will reduce personal injuries.
14. Failure to heed these warnings may result in damage to the equipment, or serious personal injury.
15. Always visually inspect the tyre changer before use, to ensure that all parts are correctly located and secure. Check for cracks, deformation or other signs of damage or worn parts.

UNPACKING PRIOR TO ASSEMBLY

Unpack the components on a clean flat area of hard standing and ensure that all parts are present. Identify all components according to the illustration.

Open or ring spanners (17 mm) or an adjustable wrench will be required for assembly.

INVENTORY



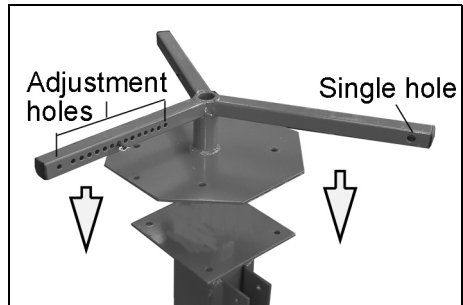
NO	DESCRIPTION	QTY
1	Base assembly	1
2	Breaker shoe	1
3	Tyre lever	1
4	Breaker arm	1
5	Handle extension	1
6	Top plate assembly	1
7	Centre pedestal	1
8	Loose wheel clamp	2
9	Clamp assembly	1
10	Bolt 17mm	4
11	Clamp handle	1

NO	DESCRIPTION	QTY
12	Spring washer	4
13	Nut	5
14	Large clevis pin	2
15	Large R-clip	2
16	Small clevis pin	2
17	Small R-clip	2
18	Long bolt	1
19	Locknut	2
20	Flat washer	6
21	Tension spring	1

ASSEMBLY AND FLOOR MOUNTING

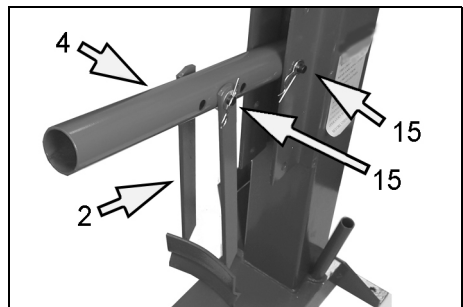
1. Mount the tyre changer base assembly rigidly as described on page 2.
2. Using four bolts (10), spring washers (12), flat washers (20) and nuts (13), attach the top plate assembly (6) to the base assembly (1).

NOTE: The arm with the single hole should be positioned closest to the operator.

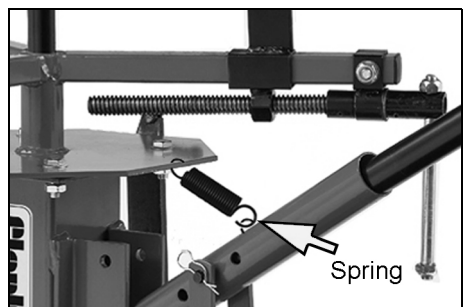


3. Fit the breaker arm (4) into the bracket using the large clevis pin (14), washer (20) and large R-clip (15).

NOTE: The position can be changed according to the size of the tyre by moving the clevis pin to a different hole. (see page 6).



4. Add the breaker shoe (2) to the arm (4) using the other large clevis pin (14), washer (20) and large R-clip (15).
5. When setting the breaker arm in the higher positions the supporting spring (21) can be used by connecting it to the top plate and the arm.

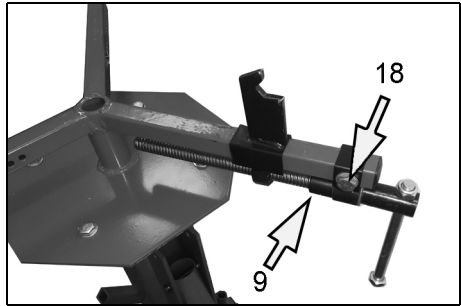


6. Slide the clamp assembly (9) onto the front arm of the top plate assembly & secure with the long bolt (18), washer (20) & nut(13).

7. Add the loose wheel clamps which are set in position using the small clevis pins (16) and r-clips (17). **See note on page 7.**

8. Add the centre pedestal (7) to the top assembly.

9. When ready to use, slide the handle (5) into the breaker arm. At other times it can be stored in the socket on the side of the base assembly.



OPERATION

BREAKING THE TYRE BEAD SEAL

1. Deflate the tyre and remove any balance weights from the wheel rim before breaking the bead seal.

- The use of a rubber lubricant will make removal and remounting of the tyre much easier. (lubricant not supplied)

2. To break the tyre bead loose from the wheel rim, lay the tyre on the base plate against the triangular stop to keep the tyre from sliding.

3. Set the breaker shoe on the tyre against the rim.

- When working with different sizes of tyre you will need to use different holes in the arm bracket to adjust the breaker shoe position.

4. Adjust the shoe height by removing the clevis pin and moving the shoe up or down.

5. Insert the end of the handle into the breaker arm and push down causing the breaker shoe to force the tyre bead off the wheel rim. If the bead does not separate all around, turn the tyre and repeat in different locations.



MOUNTING AND DEMOUNTING TYRES

TYRE REMOVAL

1. After the bead seal is broken, place the tyre over the centre pedestal.
2. Clamp the wheel rim between the wheel clamps and tighten using the clamp handle. Take care not to damage the rim of the wheel by overtightening.

NOTE: The clamps can be installed with the upstands located on the inside or outside. The outside position is usually the best and most secure position, thereby gripping the wheel towards the centre.

3. With the tyre held securely, insert the flat end of the tyre lever (3) between the tyre and the wheel rim. Pull the lever toward you across the tyre to force the bead off the rim.

- Some lubrication with soap & water around the edge of the rim and tyre will help the process.

4. Work the bar all the way round the centre pedestal to completely dismount the tyre.

5. Pull the bottom bead upwards and place the flat end of the tyre lever between the tyre and the lower rim as before and repeat to completely remove the tyre.



TYRE FITTING

1. To mount a tyre, again lubricate both beads of the tyre and place the tyre on top of the wheel.
2. With the lower bead sitting on the rim, push the tyre forward and down and hook the end of the tyre lever over the edge of the rim.
3. Press down on the tyre to hold it below the rim and with the other hand, pull the lever anti-clockwise around the centre pedestal until the bead slips over the rim. Repeat with the other tyre bead.

A SELECTION FROM THE VAST RANGE OF

Clarke®

QUALITY PRODUCTS

AIR COMPRESSORS

From DIY to industrial, Plus air tools, spray guns and accessories.

GENERATORS

Prime duty or emergency standby for business, home and leisure.

POWER WASHERS

Hot and cold, electric and engine driven - we have what you need

WELDERS

Mig, Arc, Tig and Spot. From DIY to auto/industrial.

METALWORKING

Drills, grinders and saws for DIY and professional use.

WOODWORKING

Saws, sanders, lathes, mortisers and dust extraction.

HYDRAULICS

Cranes, body repair kits, transmission jacks for all types of workshop use.

WATER PUMPS

Submersible, electric and engine driven for DIY, agriculture and industry.

POWERTOOLS

Angle grinders, cordless drill sets, saws and sanders.

STARTERS/CHARGERS

All sizes for car and commercial use.



PARTS & SERVICE: 0208 988 7400
E-mail: Parts@clarkeinternational.com or Service@clarkeinternational.com
SALES: UK 01992 565333 or Export 00 44 (0)1992 565335

Clarke® INTERNATIONAL Hemnall Street, Epping, Essex CM16 4LG
www.clarkeinternational.com